

FEATURES



CELL ON LEGS (COLs)



Outdoor Enclosure installed on platform (4 legs)

CELL ON LEGS (COLs)

The entire outdoor unit is installed on a platform (4 legs that can be adjusted with either hydraulic or manual handling) in order to be transported by a vehicle.

- Can be deployed as a permanent site.
- Enables the user to focus coverage on a specific area.
- Provides the flexibility to easily relocate.
- There is no requirement to purchase multiple vehicles.

Design :

Cell on legs has been designed with three main units; Outdoor enclosure, Platform, and Telescopic Pole which is manufactured in accordance with ISO9001 and 14001 and TUV SUD standards for poles.

UTILIZATIONS :

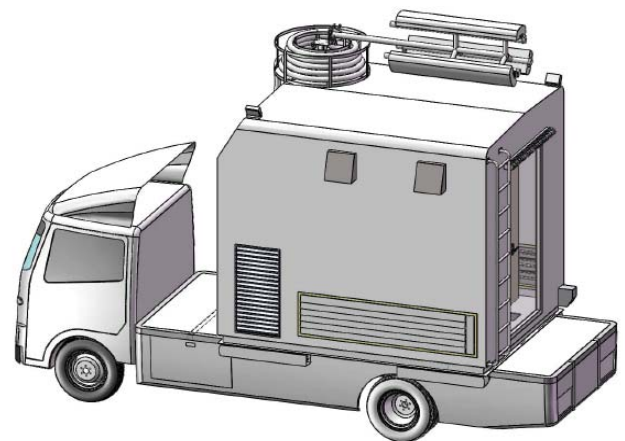
With its specific design, The Cell On Legs can be deployed as a permanent site solution, as well as for various other utilizations.

Supplementary unit: Coverage of events and/or festivals in which traffic volume may increase substantially.

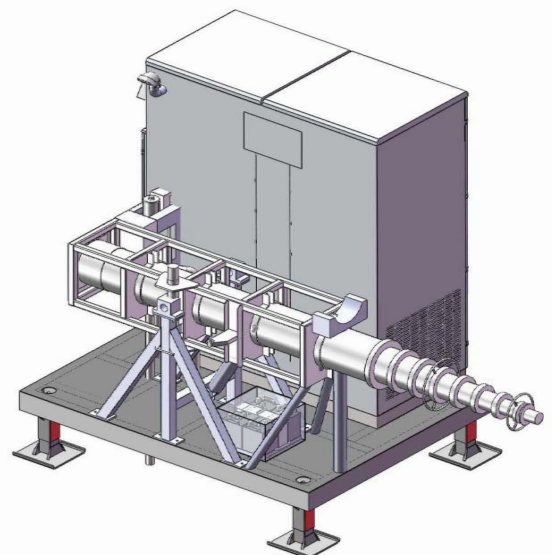
Deployable in confined areas: Areas those are too small to contain a foundation and standard fixed shelter.

Survey unit: In areas where a permanent site feasibility study may be required.

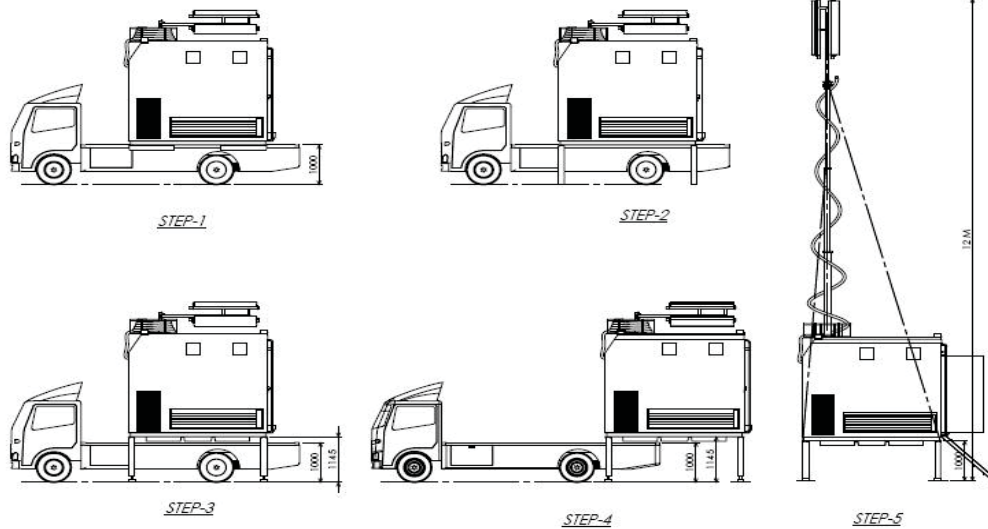
Temporary use: In emergency conditions, such as natural disasters, civil unrest, permanent site under repair or is being upgraded (Slave unit), and cutover support.



Model RDU-COL08-01A

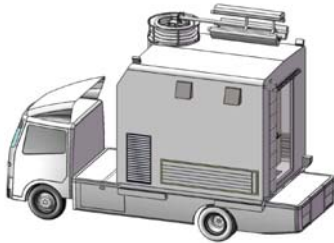
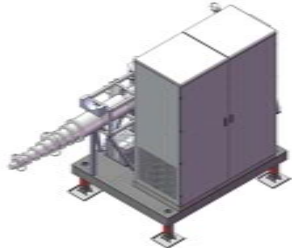


Model RDU-COL08-02A



CHARACTERISTIC

Standard Container Shelter

PRODUCT CODE	RDU-COL08-01A	RDU-COL08-02A
Drawing		
Type	Outdoor Enclosure (2 mm Electro Galvanized Steel Sheet)	Outdoor Enclosure (2 mm Electro Galvanized Steel Sheet)
External Dimensions (WxLxH)	2300x3000x2600 mm	2000x980x2350 mm
Platform	<ul style="list-style-type: none"> - The floor structure is made of high quality steel (main & cross frame) - 4 adjustable legs; hydraulic - A set of 4 steel base plates 	<ul style="list-style-type: none"> - External dimensions 2000x2500x2500 mm (WxLxH) - The floor structure is made of high quality steel (main & cross frame) - 4 adjustable legs; hydraulic - A set of 4 steel base plates.
Trailer Dimensions (WxLxH)	2300x4700x1000 mm	2300x4700x1000 mm
Pole	<ul style="list-style-type: none"> - 12 m telescopic pole; motorized erection system (24 Vdc/200A Winch) - Made of stainless steel - Remote controller and safety control provided - Handle adjustment available 	<ul style="list-style-type: none"> - 20 m telescopic pole; motorized erection system (24 Vdc/ 200A winch) - Remote controller and safety control provided - Handle adjustment available
Guarantee	1 year	1 year