

FEATURES



Equipment/Battery Enclosure



DSLAM Enclosure



Cabinet on Pole

OUTDOOR ENCLOSURE

- Designed as an outdoor solution to house the outdoor or indoor equipment which is always supplied with various climate control systems, depending on customer specifications and requirements.
- Easy installation and transportation.
- Durable, rated to IP55 standard.
- Low maintenance.
- Available in various materials.
- We welcome requests for production of OEM concepts.

CLIMATE CONTROL TECHNIQUES

Units can be designed to operate at various temperature levels.

DC Fan System: Use the air-circulation system to ventilate heat.

Heat Exchanger: The inside air and outside air will exchange temperature of each other through Aluminum heat sink with the closed system.

Passive Cooling: Cool air is being passively generated by passive cooling units, customized and suitable for all climate conditions.

Compact Cooling: As the same concept with air conditioning unit(wall type) but more fit and slim body, without air condensing outside required.

GENERAL SPECIFICATION

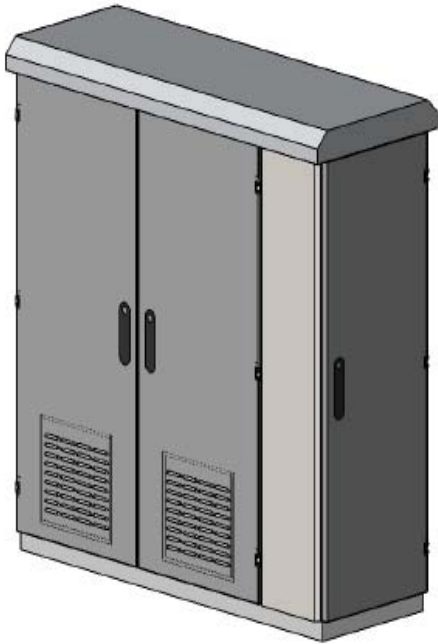
- Made by 2 mm. thick electro galvanized steel sheet, coated with epoxy polyester powder coating or ceramic coating.
- Comes with the climate control system upon temperature level in any climate surrounding condition.
- 3 point locking system with handle.
- Provided with a bus bar grounding system.
- IP55 standard.
- Floor load minimum at 6 kN/m²

WARRANTEE

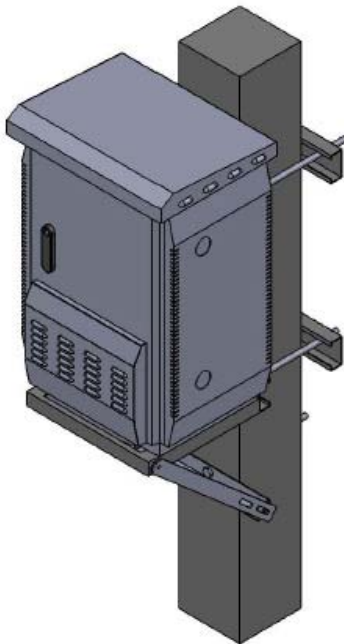
- Exterior paint comes with a 5 year warranty.
- Structure comes with a 10 year warranty.
- *Warranty is available and covers any leakage of water from every welded seam.
- **Manufactured in a factory certified by the Industrial Standard system, ISO9001:2000

PROJECT REFERENCES

- TT&T Broadband expansion project,** Triple T Broadband Public Company LTD., Thailand 2008 - Present
- LEONIC-BANGKOK SOLAR,** Thailand 2007-2008
- IP DSLAM PROJECT,** TOT, Thailand 2006
- POWER ENCLOSURE,** ELTEK SUPPLY CO.,LTD., Thailand 2005 - 2006
- ODU with Heat Exchanger,** TOT, Thailand 2006



DSLAM ENCLOSURE	
Material	2 Layers skin of 2 mm. Electro Galvanized Steel sheet passed through an anti-rust treated process, by coating with Power coat, having thickness not less than 75 microns.
Dimension*	W1640mm x L1610mm x H987mm
Climate Control	Available for A/C or D/C fan, or Passive Cooling, or Heat Exchanger, or Compact Cooling
Service Door	3 Sides (2 Fronts & 1 Rear) Provided with an anti-dust and waterproof rubber
Locking	3 points locking at front door & 2 points locking at rear side door
Rack Mounting	19" movable rack
Grounding	Bus bar grounding
IP Standard	IP55 (IEC-60529)



Cabinet on Pole	
Material	2 Layers skin of 2 mm. Aluminum sheet coated with high performance epoxy polyester powder coating.
Dimension*	W1640mm x L1610mm x H987mm
Climate Control	Available for A/C or D/C fan, or Passive Cooling, or Heat Exchanger, or Compact Cooling
Service Door	3 Sides (1 Front & 2 Rear Sides) Provided with an anti-dust and waterproof rubber
Locking	3 points locking at front door & 2 points locking at rear side door.
Rack Mounting	19" movable rack
Grounding	Bus bar grounding
IP Standard	IP55 (IEC-60529)

*Dimensions can be customized upon customer's requirement